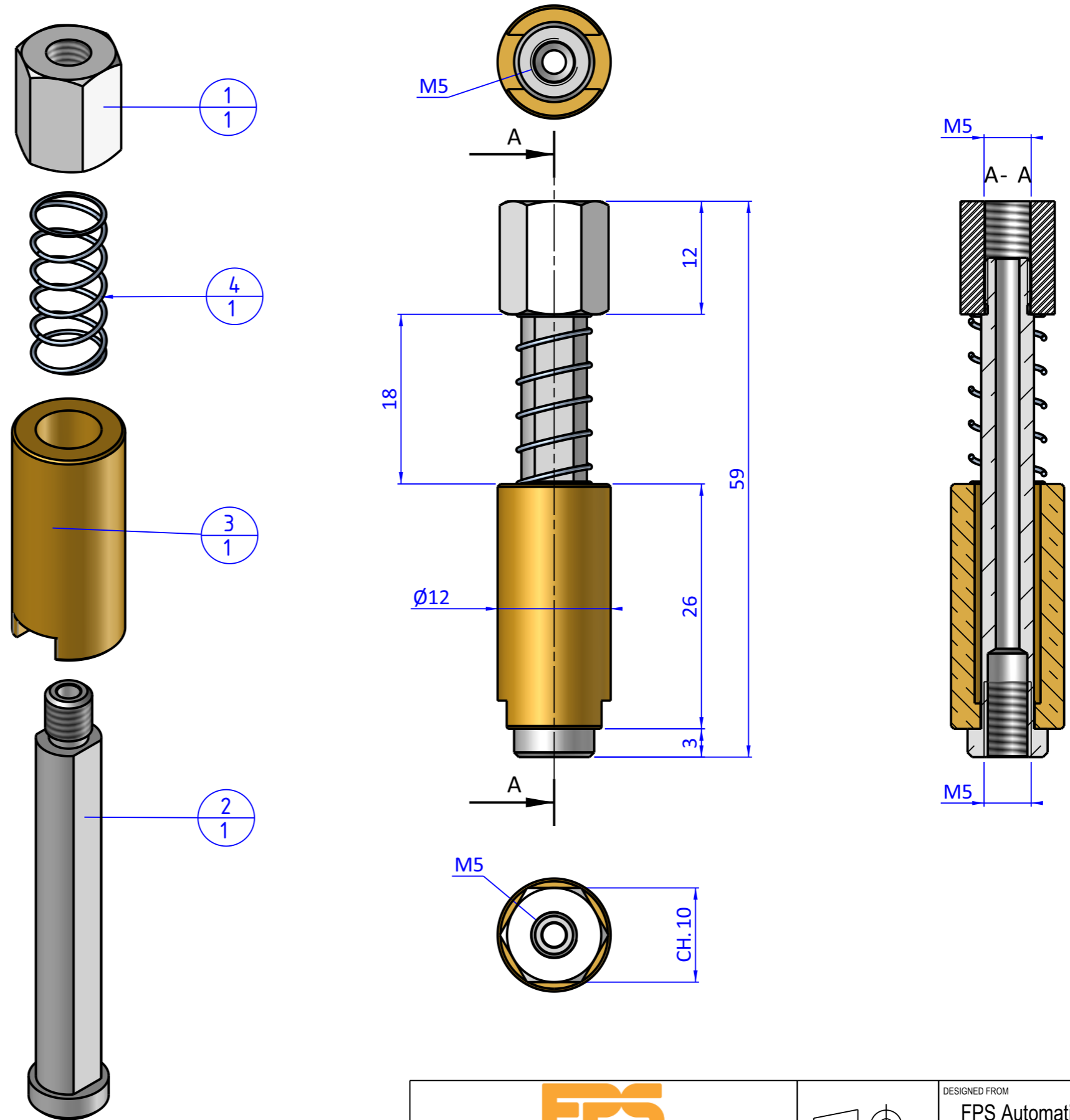

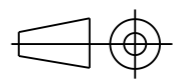


THE PROPERTY OF THE DRAWING IS ESTABLISHED BY LAW. IT IS FORBIDDEN TO PRODUCE OR SHOW IT TO THIRD PART. WITHOUT A WRITTEN AGREEMENT.

Item	Name	Q.ty
1	05.01.005.01.10	1
2	05.01.005.07	1
3	05.02.005.03	1
4	M.8x26.6N	1



Format A3
UNI 936-76

 FPS FPSERVICES AUTOMATION			DESIGNED FROM FPS Automation	REVIEW A
GENERAL TOLERANCE UNI - ISO 2768 CLASSE f		DESCRIPTION CA.05.02.006	DATE 13/01/2025	WEIGHT 0,031kg
		CODE CA.05.02.006		